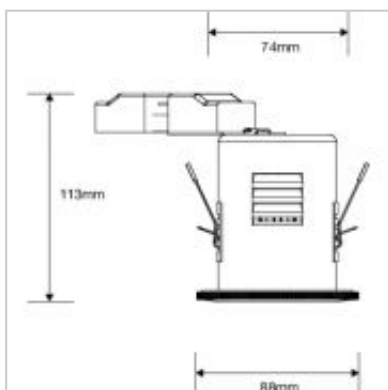


Megaman's first fully integrated fire rated downlight with a serviceable LED module allowing ultimate control. Design features include the latest super-efficient Megaman LED module, easy click connectors, large push button terminals, Loop in Loop out features to save installation time and advanced thermal design to lower operating temperatures and extend life.



## VERSOFIT IP65 Satin Chrome 2800K Dimming

<b>Product Code</b>	<b>519384</b>
<b>International Model Number</b>	<b>F28751RC</b>
<b>Description</b>	<b>8W VersoFIT IP65 Fire Rated Downlight</b>
<b>Watts</b>	<b>8W</b>
<b>Colour temperature/CRI</b>	<b>2800K / 80</b>
<b>Lumens</b>	<b>420lm</b>
<b>Candelas</b>	<b>550cd</b>
<b>Dimmable</b>	<b>Yes</b>
<b>Lamp life L70</b>	<b>30,000hr</b>
<b>Beam angle</b>	<b>36</b>
<b>Weight</b>	<b>395g</b>
<b>Dimensions</b>	<b>113mm x 88mm</b>
<b>IP rating</b>	<b>IP65</b>
<b>Colour/Finish</b>	<b>Satin Chrome</b>
<b>Hole Cut-Out</b>	<b>74mm</b>
<b>Min Ceiling Depth</b>	<b>111mm</b>
<b>Suitable Lamps</b>	<b>TECOH® THx</b>
<b>Operating Temperature</b>	<b>-30° to +40°</b>

Last modified: 2016-11-14 16:44:04.

Check out our guide to  
[Dimming Compatibility](#)  
**MEGAMAN®**

View online at <https://www.megamanuk.com/products/fixtures/integrated-fire-rated-downlights/519384/>

**Megaman (UK) Limited**, Megaman House, 2 Quadrant Park, Mundells, Welwyn Garden City, Herts, AL7 1FS  
**Telephone:** +44 (0) 1707 386000 , **Email:** [sales@megamanuk.com](mailto:sales@megamanuk.com) **Website:** [www.megamanuk.com](http://www.megamanuk.com)

