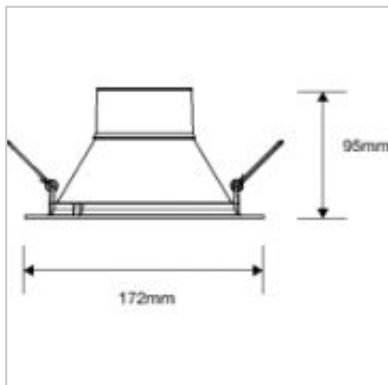


The integrated LED downlight range incorporates a driver. The range is easy to install and delivers high system efficacy of up to 76lm/w - producing 62% more light when compared to conventional plug-in tube downlights.



Class
I



20.5W Integrated Downlight 4000K

Product Code	517423
International Model Number	F26300RC
Description	20.5W Integrated LED Downlight
Watts	20.5W
Colour temperature / CRI	4000K / 80
Lumens	1560lm
Candelas	810cd
Dimmable	N
Lamp life L70	50,000hr
Lamp life L90	25,000hr
Beam Angle	90
Weight	266g
Dimensions	94mm x 172 mm
IP Rating	IP44
Colour/Finish	White
Shape	Round
Hole cut out	150mm
Min Ceiling Depth	148mm
Operating Temperature	-30° to +40°

Last modified: 2016-11-16 10:14:57.

View online at <https://www.megamanuk.com/products/fixtures/led-integrated-downlights/517423/>

Megaman (UK) Limited, Megaman House, 2 Quadrant Park, Mundells, Welwyn Garden City, Herts, AL7 1FS
Telephone: +44 (0) 1707 386000 , **Email:** sales@megamanuk.com **Website:** www.megamanuk.com

