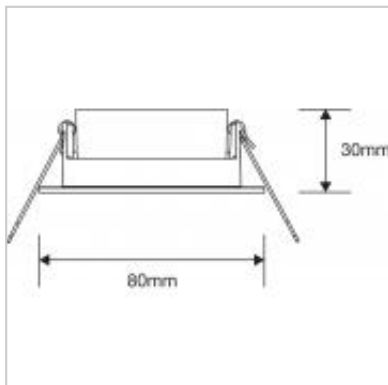


The Megaman Abby fixture works with the serviceable 10.5W TECOH LED light engine, delivering excellent lighting performance for the replacement of traditional 50W halogen MR16 and PAR16 pin-hole downlights.



**CLASS II**

### Abby Pin-hole Downlight Adjustable for Tecoh THx

<b>Product Code</b>	<b>190653</b>
<b>International Model Number</b>	<b>F55052RC</b>
<b>Description</b>	<b>Abby Pin-Hole Downlight for TECOH THx Tilt</b>
<b>Watts</b>	<b>10.5W</b>
<b>Colour temperature / CRI</b>	<b>Available in 2800K and 4000K</b>
<b>Lumens</b>	<b>900lm</b>
<b>Candelas</b>	<b>3500cd (24 ) or 1900 (36 )</b>
<b>Dimmable</b>	<b>N</b>
<b>Lamp life L70</b>	<b>25,000hr</b>
<b>Beam Angle</b>	<b>Available in 24 or 36</b>
<b>Weight</b>	<b>43g</b>
<b>Dimensions</b>	<b>30mm x 80mm</b>
<b>IP Rating</b>	<b>IP23</b>
<b>Colour/Finish</b>	<b>White</b>
<b>Shape</b>	<b>Adjustable</b>
<b>Hole cut out</b>	<b>68mm</b>
<b>Min Ceiling Depth</b>	<b>96mm</b>
<b>Tilt angle</b>	<b>30</b>
<b>For light source</b>	<b>TECOH THx LED Module sold separately</b>

Last modified: 2016-11-16 11:59:55.

View online at <https://www.megamanuk.com/products/fixtures/led-tecoh-downlight/190653/>