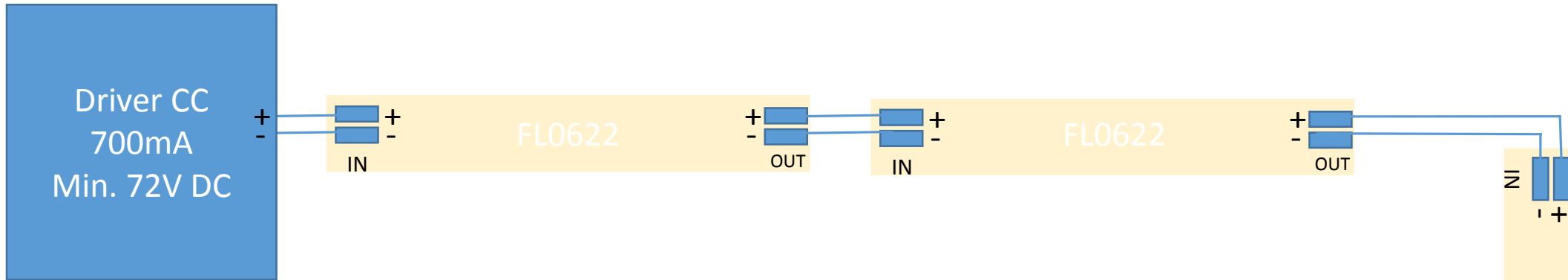


# Wiring 3 FL0622 in series or individual wiring

3 boards in series



Individual driver connection

