

ZEKI 111MM MULTI-HEAD GIMBAL

PART OF THE MEGAMAN FIXTURES RANGE

MEGAMAN®



ZEKI 111MM

Modular frame luminaire for multi-directional tilting.

FEATURES

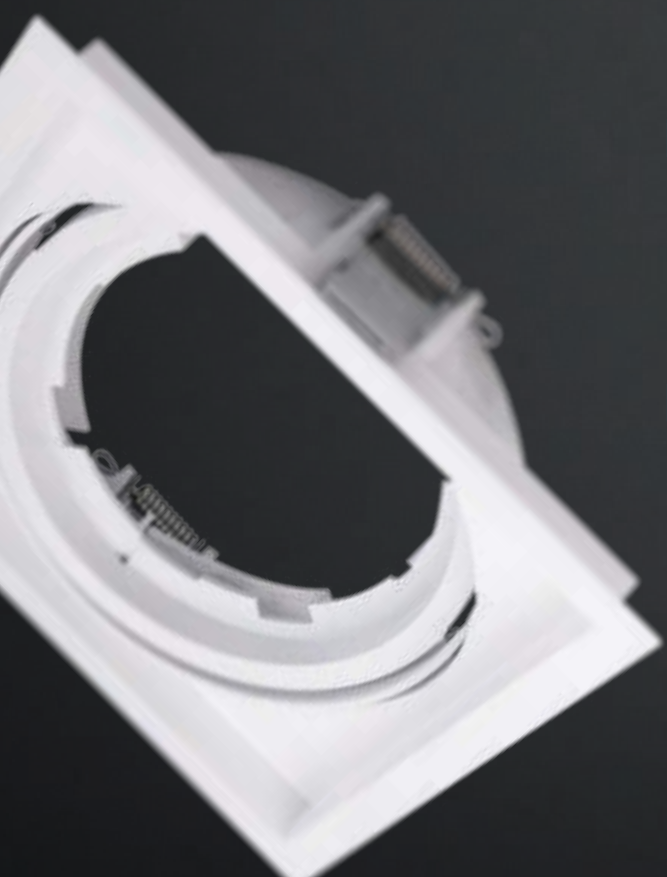
- Works with serviceable 35W TECOH® THx LED module, sold separately
- TECOH® THX available in 3000K and 4000K and 24° and 45° beam angles
- Gimbal construction
- Available in 1, 2 and 3 head frame options
- L90 at 25,000 hours, 50,000 hours rated life
- Up to 91 lumens per watt

BENEFITS

- Perfect replacement for metal halide and halogen AR111 downlights
- Multi directional tilting and focus
- Modular system enables different combinations of lighting optics for flexible lighting design
- Part L compliant

APPLICATIONS

- Retail
- Window displays
- Galleries
- Museums





SPECIFICATION



3200*
LUMENS



50,000*
HOURS



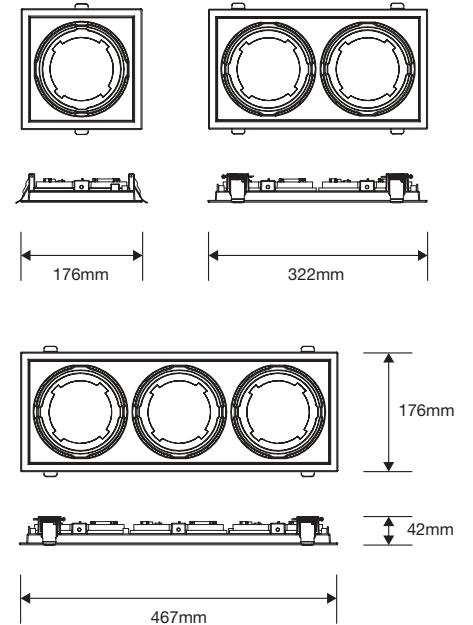
IP23
RATED



CLASS II
RATED

ZEKI 111MM MULTI-HEAD GIMBAL DOWNLIGHT

UK Order Code >	131734	131736	131738
Watts	For 1 x 35W TECOH® THx	For 2 x 35W TECOH® THx	For 3 x 35W TECOH® THx
Colour Temp (K) /CRI	Available in 3000K and 4000K	Available in 3000K and 4000K	Available in 3000K and 4000K
Lumens (lm)	3200	3200	3200
Candelas (cd)	16300 (24°) 7100 (45°)	16300 (24°) 7100 (45°)	16300 (24°) 7100 (45°)
Dimmable	Y	Y	Y
Hrs Lamp Life (L70)	50,000	50,000	50,000
Hrs Lamp Life (L90)	25,000	25,000	25,000
Beam Angle	Available in 24° and 45°	Available in 24° and 45°	Available in 24° and 45°
Weight (g)	280	526	830
Dimensions (LxWxH mm)	176x176x42 (H=101 with THx)	322x176x42 (H=101 with THx)	467x176x42 (H=101 with THx)
Colour/Finish	White	White	White
Shape	Square surround	Rectangular surround	Rectangular surround
Hole Cut-Out (mm)	160 x 160	306 x 160	452 x 160
Min Ceiling Depth (mm)	130	130	130
Tilt Angle	45°	30°	30°
Suitable Light Source	TECOH® THx	TECOH® THx	TECOH® THx



Purchase TECOH® THx separately - **131740** (3000K/24°) and **131742** (4000K/24°) or **131758** (3000K/45°) and **131760** (4000K/45°). Megaman recommends the **171905** non-dimming driver for 35W TECOH® THx, sold separately.



MEGAMAN® Zeki 111mm



160x160
mm



306x160
mm



452x160
mm

* Maximum output from highest spec lamp/module in range.
* Lamps are tested to both L70 and L90 standards. Figure represents L70.