

VERONA DOWNLIGHT

PART OF THE MEGAMAN FIXTURES RANGE

MEGAMAN®



VERONA

Fixed pin-hole design for accent lighting and discreet illumination effects.

FEATURES

- For PAR16 GU10 reflectors
- Fully recessed, discreet downlight with black baffle
- Pin-hole design
- Available in fixed or 30° tilt options
- Available in black or white

BENEFITS

- Suitable downlight solution for Megaman LED GU10s
- Design makes it perfect for dramatic accent lighting
- Perfect for highlighting an object with precision
- 30° tilt angle perfect for wall wash applications
- Black baffle offers no glare

APPLICATIONS

- Retail
- Window displays
- Galleries
- Museums

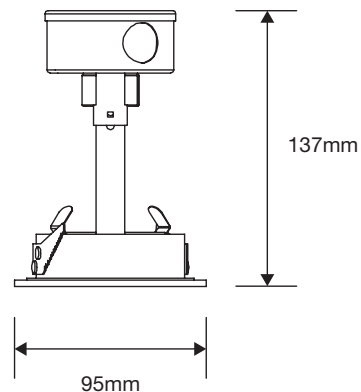


SPECIFICATION



VERONA DOWNLIGHT - FIXTURE ONLY

UK Order Code >	190649	190624	190645
Weight (g)	245	245	245
Dimensions (H x D mm)	137x95	137x95	137x95
Colour/Finish	White	Black	White
Shape	Round	Round	Oval
Hole Cut-Out (mm)	85	85	85
Min Ceiling Depth (mm)	135	135	135
Tilt Angle	-	-	30°
Suitable Lamps	4, 5, 5.5, 6 or 7W GU10	4, 5, 5.5, 6 or 7W GU10	4, 5, 5.5, 6 or 7W GU10



Suitable Megaman GU10's - 4W, 5W, 5.5W, 6W and 7W. (sold separately)



ENERGY SAVINGS

	MEGAMAN 6W LED GU10	50W HALOGEN GU10
Annual running cost	£3.68	£30.69
Annual saving**	£27 / 88%	-
Environmental impact saving	192kW / 105kgs CO ₂	-

** Savings are calculated on 4638 hours use per annum at 14p kW hr
 † Maximum output from highest spec lamp/module in range.
 * Lamps are tested to both L70 and L90 standards. Figure represents L70.