

FONDA LED BULKHEAD

PART OF THE MEGAMAN FIXTURES RANGE

MEGAMAN®



FONDA

Tough and stylish new integrated outdoor LED bulkhead from Megaman that offers modern styling and low glare.

FEATURES

- Circular or oval design with opal diffuser
- IP66 protection against water and dust
- Comes complete with security screws and key
- Corrosion free tough polycarbonate enclosure, UV resistant
- IK10 for vandal resistance
- White, silver and black options
- L90 at 25,000 hours, 50,000 hours rated life
- Up to 76 lumens per watt

BENEFITS

- Efficient replacement for CFL luminaires
- Flexibility for a range of applications
- IP66 rated against water and dust ingress
- Suitable for indoor and outdoor applications
- Suitable for high vandalism risk installations
- Suitable for wall and ceiling mounting
- Low maintenance and added cost savings
- Part L compliant

APPLICATIONS

- Car parks
- Outside walls
- Warehouses
- Stairwells and walkways
- Social housing
- Large commercial buildings
- Local authorities





800*
LUMENS



50,000*
HOURS



IP66
RATED



IK10
RATED

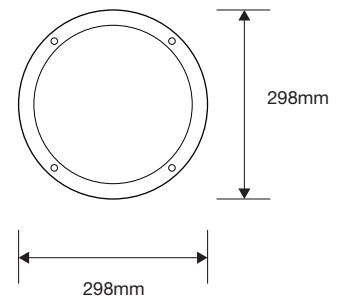
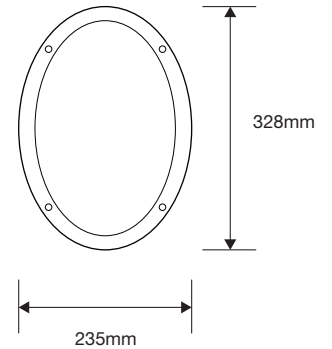


CLASS II
RATED

SPECIFICATION

FONDA LED BULKHEAD

UK Order Code >	180317	180309	180314	180312
Watts	10.5W	10.5W	10.5W	10.5W
Colour Temp (K) /CRI	4000 / 80	4000 / 80	3000 / 80	4000 / 80
Lumens (lm)	800	800	800	800
Candelas (cd)	320	320	320	320
Dimmable	N	N	N	N
Hrs Lamp Life (L70)	50,000	50,000	50,000	50,000
Hrs Lamp Life (L90)	25,000	25,000	25,000	25,000
Beam Angle	110°	110°	110°	110°
Weight (g)	728	745	745	745
Dimensions (LxWxD mm)	328x235x91	298x298x91	298x298x91	298x298x91
Colour/Finish	Silver	White	Black	Black
Shape	Oval	Round	Round	Round



ENERGY SAVINGS

	MEGAMAN 10.5W FONDA	60W INCANDESCENT GLS
Annual running cost	£6.44	£36.82
Annual saving**	£30.38 / 82.5%	-
Environmental impact saving	216kW / 118kgs CO ₂	-

** Savings are calculated on 4638 hours use per annum at 14p kW hr
 † Maximum output from highest spec lamp/module in range.
 * Lamps are tested to both L70 and L90 standards. Figure represents L70.