

COMPACT SIENA DOWNLIGHT

PART OF THE MEGAMAN FIXTURES RANGE

MEGAMAN®



COMPACT SIENA

Compact, adjustable integrated LED downlights, ideal for limited recess depths.

FEATURES

- Compact recessed Integrated downlight
- Dim to warm technology and dimming options available
- Circular and square variants
- White and silver colour options
- Warm and Cool white variants
- Inventive 360° swivel design
- L90 at 25,000 hours, 50,000 hours rated life
- 81 lumens per watt

BENEFITS

- Ideal replacement for MR16 and GU10 downlights
- 25mm shorter than traditional downlights, ideal for limited recess depths
- Dim to Warm technology- emitting a warmer light when dimmed from 2800K to 1800K, simulating the characteristics of halogen
- Suitable for a range of applications
- Flexibility that allows you to aim the beam angle with pinpoint precision
- Low maintenance and added cost savings
- Part L compliant

APPLICATIONS

- Retail lighting
- Offices
- Hotels
- Residential
- Restaurants
- Hospitality

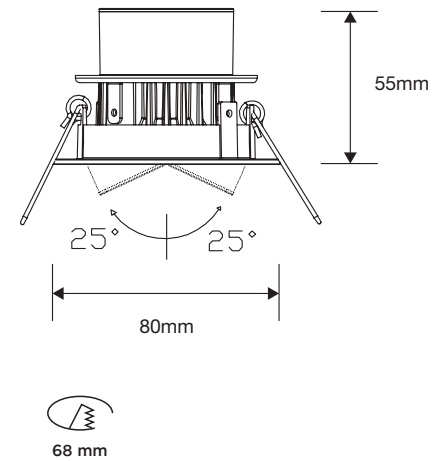


SPECIFICATION



COMPACT SIENA INTEGRATED LED DOWNLIGHTS

UK Order Code >	191406	191617	191761	191704	191831	191849
Watts	8W	8W	8W	8W	8W	8W
Colour Temp (K) /CRI	2800-1800 / 80	2800-1800 / 80	2800 / 80	4000 / 80	2800 / 80	4000 / 80
Lumens (lm)	500	500	650	650	650	650
Candelas (cd)	1800	1800	2000	2000	2000	2000
Dimmable	Y	Y	Y	Y	Y	Y
Hrs Lamp Life (L70)	50,000	50,000	50,000	50,000	50,000	50,000
Hrs Lamp Life (L90)	25,000	25,000	25,000	25,000	25,000	25,000
Beam Angle	36°	36°	36°	36°	36°	36°
Weight (g)	212	212	220	220	220	220
Dimensions (H x D mm)	55x80 (2.5")	55x80 (2.5")	55x80 (2.5")	55x80 (2.5")	55x80 (2.5")	55x80 (2.5")
Colour/Finish	White	Silver	White	White	Silver	Silver
Shape	Round	Round	Square surround	Square surround	Square surround	Square surround
Hole Cut-Out (mm)	68	68	68	68	68	68
Min Ceiling Depth (mm)	53	53	53	53	53	53
Tilt Angle	25°	25°	25°	25°	25°	25°



Please visit our website for a full list of compatible dimmers - www.megamanuk.com/products/compatibility



ENERGY SAVINGS

MEGAMAN 8W SIENA 650LM **50W HALOGEN 500LM**

Annual running cost	£4.91	£30.69
Annual saving**	£25.78 / 84%	-
Environmental impact saving	183kW / 100kgs CO₂	-

** Savings are calculated on 4638 hours use per annum at 14p kW hr
 † Maximum output from highest spec lamp/module in range.
 * Lamps are tested to both L70 and L90 standards. Figure represents L70.