

VERSOFIT LED Fire Rated Downlight

F28751RC / F28851RC / F28951RC



Instruction Manual

TECHNICAL SPECIFICATION

Model Number	F28751RC	F28851RC	F28951RC
Wattage	Max. 8W TECOH® THx TH0106d	Max. 8W TECOH® THx TH0106d	Max. 8W TECOH® THx TH0106d
Voltage	220-240V~	220-240V~	220-240V~
Frequency	50/60Hz	50/60Hz	50/60Hz
Fixed/Tilt Version	Fixed	Fixed	Tilt
IP Protection			

Part "B" BS476 Part 21
Part "E" (Acoustics)
Part "C" Compliant Stops moisture & air flow through the luminaire

Luminaire suitable for all timber joist ceiling variants up to 90 minutes.
 Part "E" Compliant (Acoustics)
 90 Minute fire rating
 Approved to:- BS476 Part 21
 Building Regulations Document B2 determines the ceiling type that is required depending on the type of building under construction. The ceiling types are designed to provide protection to the floor above in the case of fire for a duration as specified by the document. Using MEGAMAN® Versa-LED Fire Rated Downlight ensures that this specification is maintained even when downlights are installed in the ceiling.

F28751RC-Fixed VERSOFIT Integrated Fire Rated Downlight Dimming

Order Code	519384	519048	519609	519627	519379	519085
Colour	Satin Chrome	Satin Chrome	Chrome	Chrome	White	White
Colour Temperature	2800K	4000K	2800K	4000K	2800K	4000K
CRI	80	80	80	80	80	80

F28851RC-Fixed VERSOFIT Integrated Fire Rated Downlight Dimming

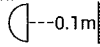
Order Code	519160	519170	519607	519315	519406	519728
Colour	Satin Chrome	Satin Chrome	Chrome	Chrome	White	White
Colour Temperature	2800K	4000K	2800K	4000K	2800K	4000K
CRI	80	80	80	80	80	80

F28951RC-Tilt VERSOFIT Integrated Fire Rated Downlight Dimming

Order Code	519843	519301	519353	519715	519317	519681
Colour	Satin Chrome	Satin Chrome	Chrome	Chrome	White	White
Colour Temperature	2800K	4000K	2800K	4000K	2800K	4000K
CRI	80	80	80	80	80	80

CAUTIONS

- Read the entire manual carefully before installation and operation.
- It is recommended that the installation or replacement be performed by a licensed and qualified electrician.
- Switch off the power source before installation, replacement and cleaning.
- Wearing gloves during installation is recommended to ensure the luminaire is kept in good condition.
- Before replacement of the luminaire, turn it off and allow it to cool down. Heat-resistant gloves are mandatory when handling the luminaire.
- The minimum safety distance from the illuminated object is 0.1m.



- Only the MEGAMAN® TECOH® THx (8W) shall be used with luminaire. Using incandescent lamp, halogen or other kinds of light source will result in risk of fire or electric shock.
- It is recommended that all cable connected to the luminaire are heat resistant.
- The manufacturer accepts no liability for any damage resulting from the misuse of the luminaire or from when it is used with inappropriate equipment.
- Not suitable for covering with thermally insulated material.
- Consult your dealer if you have any enquiries.

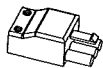
ATTENTION

- Instant start is allowed.

- Designed for indoor application.

PART LIST

Male Plug



1 PCE.

Installation

Max. 25mm

√ Cut-Out Ø:

Model No.	Cut-Out (mm)
F28751RC	74
F28851RC	71
F28951RC	85

Safety Distance:

Model No.	W (mm)	H (mm)
F28751RC	80	135
F28851RC	80	135
F28951RC	80	135

Module Installation

- Clip the TECOH® THx LED module to the trim of the luminaire.
- There is a sound "click" when the LED module is locked to the trim.

F28751RC

F28851RC
F28951RC

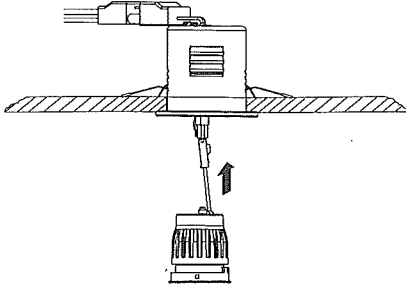
Step 1

- Wiring the power cord to the male plug. Please refer to the wiring diagram for details.
- Connect the plug and play socket.
- Fix the luminaire to the ceiling.

Step 2

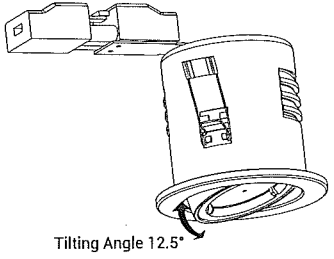
Instruction Manual

• Connect the TECOH® THx LED module to the luminaire with the connectors.



Step3

• The F28951RC facilitates a bi-directional tilting angle of 12.5°, user can adjust it to a desired angle after installation.

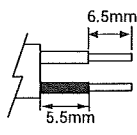


Tilting Angle 12.5°

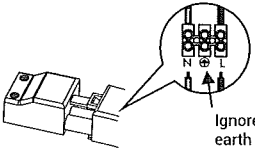
Step4

Wiring

Power Cord Preparation:

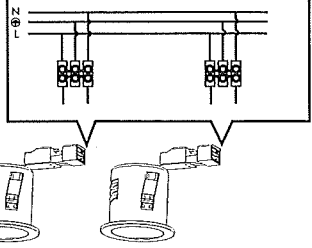


3x1.5mm ² For multi-core wire	3x1.5mm ² For solid conductors
---	--



Ignore the protective earth mark

Input voltage
220-240V~



Correct Disposal of this product

This marking indicates that this product should not be disposed with other household wastes throughout the EU. To prevent possible harm to the environment or human health from uncontrolled waste disposal, recycle it responsibly to promote the sustainable reuse of material resources. To return your used device, please use the return and collection systems or contact the retailer where the product was purchased. They can take this product for environmental safe recycling.

Neonlite Electronic & Lighting (HK) Ltd.
31/F, AIA Kowloon Tower, Landmark East, 100 How Ming Street,
Kwun Tong, Kowloon, Hong Kong.

