
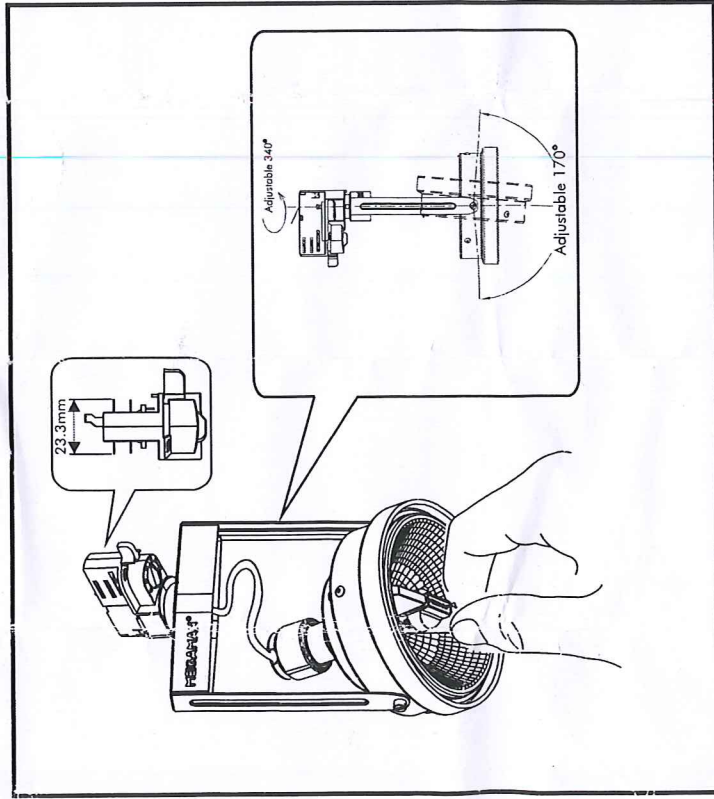


CAUTION

- We recommend installation to be done by your local licensed and qualified electrician.
-  The safety minimum distance from lighted object is 0.1 m.
- Please switch off the power source before installation or replacement.
- To be applied on indoor applications only.
- Not suitable for dimmer circuits, except for MEGAMAN® dimmable lamps.
- For connection of lights to GLOBAL pro 3-circuit tracks.

LAMP INSTALLATION/REPLACEMENT



Correct Disposal of this product

This marking indicates that this product should not be disposed with other household wastes throughout the EU. To prevent possible harm to the environment or human health from uncontrolled waste disposal, recycle it responsibly to promote the sustainable reuse of material resources. To return your used device, please use the return and collection systems or contact the retailer where the product was purchased. They can take this product for environmental safe recycling.

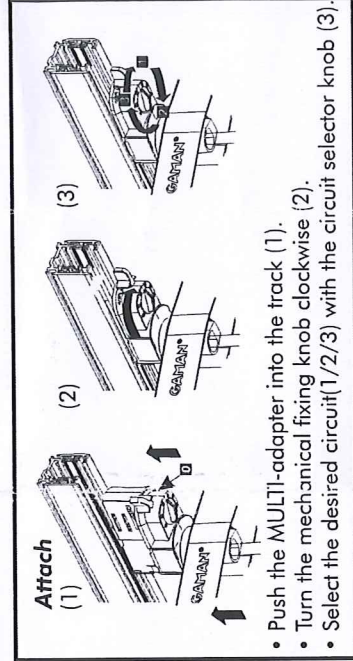


TECHNICAL SPECIFICATION

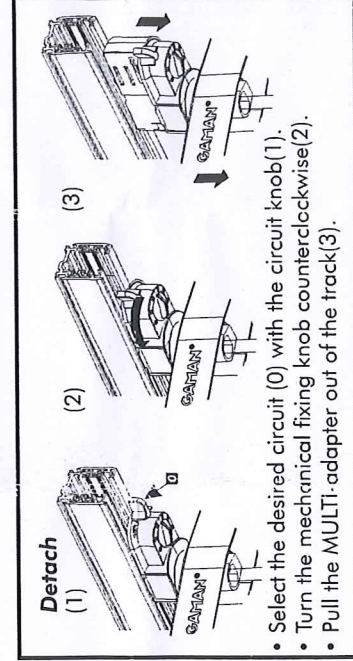
Model : F13117TK
 Frequency : 50/60Hz
 Wattage : Max. 15W MEGAMAN®
 LED AR111 GU10
 Voltage : 220-240V~
 IP Protection : IP20

INSTALLATION

- Pay attention to the position of the track's ridge. Install the Adapter with its switch facing you on a track with the ridge on the left. Push the Adapter into the track with the switch at the OFF position(1).
- Turn the switch rightwards to the ON position (2).
- To remove the Fixture from the track, turn the switch on the Adapter leftwards to the OFF position.



- Push the MULTI-adapter into the track (1).
- Turn the mechanical fixing knob clockwise (2).
- Select the desired circuit(1/2/3) with the circuit selector knob (3).



- Select the desired circuit (0) with the circuit knob(1).
- Turn the mechanical fixing knob counterclockwise(2).
- Pull the MULTI-adapter out of the track(3).

CLEANING

- Disconnect the power source before cleaning.

MAINTENANCE

- Do not attempt to disassemble or service the product yourself. Please leave all technical issues to a qualified electrician.

Neonlite Electronic & Lighting (HK) Ltd.
 31/F, AIA Kowloon Tower, Landmark East, 100 How Ming Street,
 Kwun Tong, Kowloon, Hong Kong.