

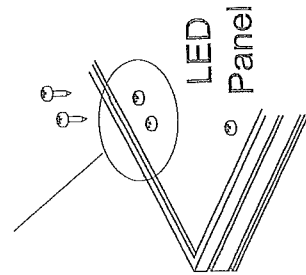
Illustration for led panel light installation----- Suspension (ceiling type)

Material composition

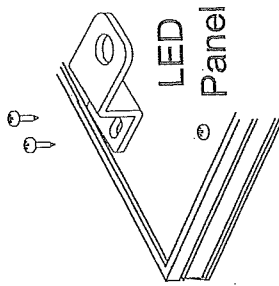
| Product Type | plastic expansion screw | M4*25 self-tapping screw | fixing part A | fixing part B | fixing part C | fixing part D | steel rope | regulator | nut | washer | hanging part | M3*8.5 screw |
|--------------|-------------------------|--------------------------|---------------|---------------|---------------|---------------|------------|-----------|-------|--------|--------------|--------------|
| ASP-P0606-CY | 2 PCS | 2 PCS | 2 PCS | 2 PCS | 2 PCS | 2 PCS | 4 PCS | 4 PCS | 4 PCS | 4 PCS | 4 PCS | 8 PCS |
| ASP-P0606-CV | 4 PCS | 4 PCS | 4 PCS | 4 PCS | 4 PCS | 2 PCS | 4 PCS | 4 PCS | 6 PCS | 2 PCS | 4 PCS | 8 PCS |
| ASP-P0606-SY | | | | | | 4 PCS | 4 PCS | 4 PCS | 8 PCS | 4 PCS | 4 PCS | 8 PCS |
| ASP-P0606-SV | | | | | | | | | | | | |

Installation

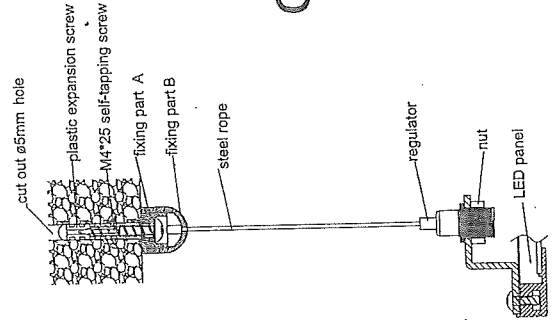
① Remove the screws of these positions



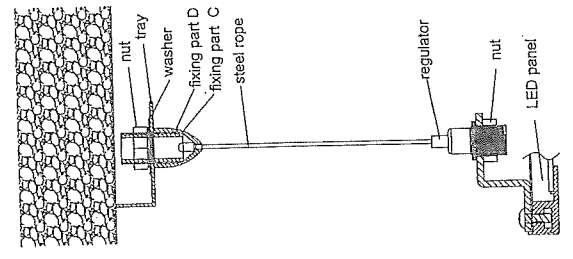
② Fix the hanging parts with M3*8.5 screws



③ Install as below diagram



Or



④ Adjust the regulator to the suitable height

