

# MEGAMAN® MOSAIC

F11517TK

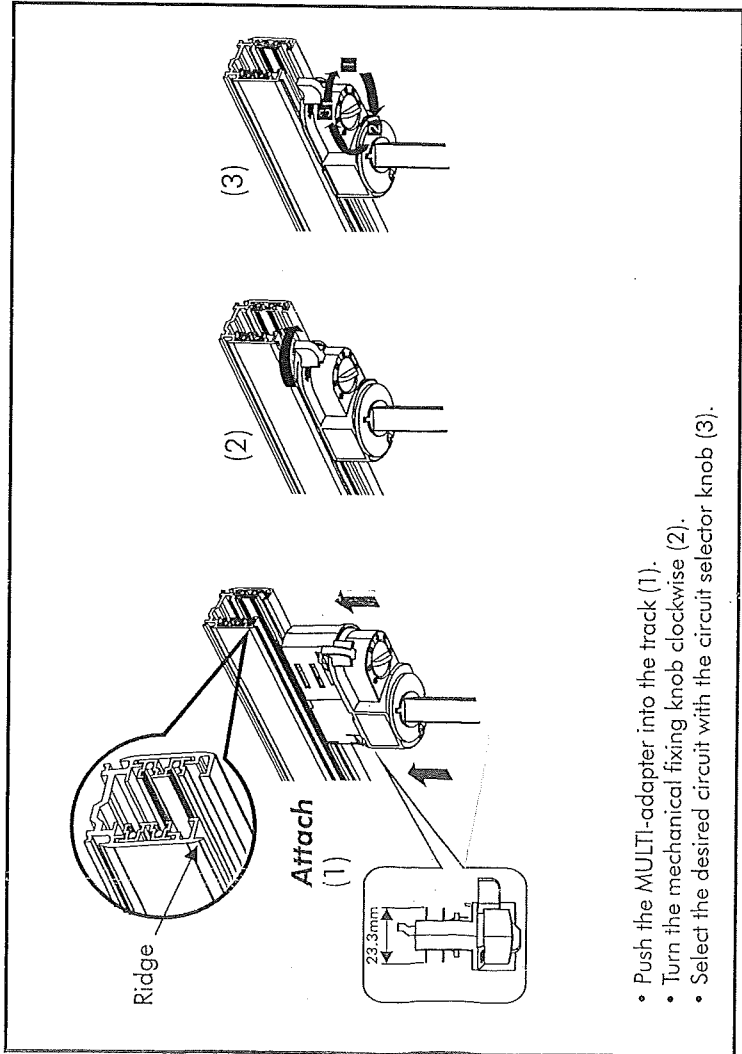
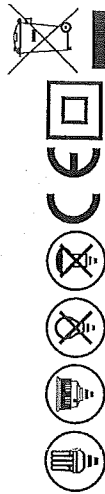
## CAUTION

- We recommend installation to be done by your local licensed and qualified electrician.
- Please switch off the power source before installation or replacement.
- $\varnothing \approx 0.1\text{m}$  The minimum distance from the illuminated object is 0.1m.
- Only MEGAMAN® CFL GU10 and Self-ballasted LED lamps GU10 can be used with the luminarie. Using incandescent bulb, halogen bulb or other kinds of light source will be result in risk of fire or electric shock.
- Not suitable for dimmer circuits, except for MEGAMAN® dimmable lamps.
- To be applied on indoor applications only.
- The luminarie shall, under no circumstances, be covered with insulating matting or materials of the like.
- For connection of lights to GLOBAL pro 3-circuit tracks.

## INSTALLATION

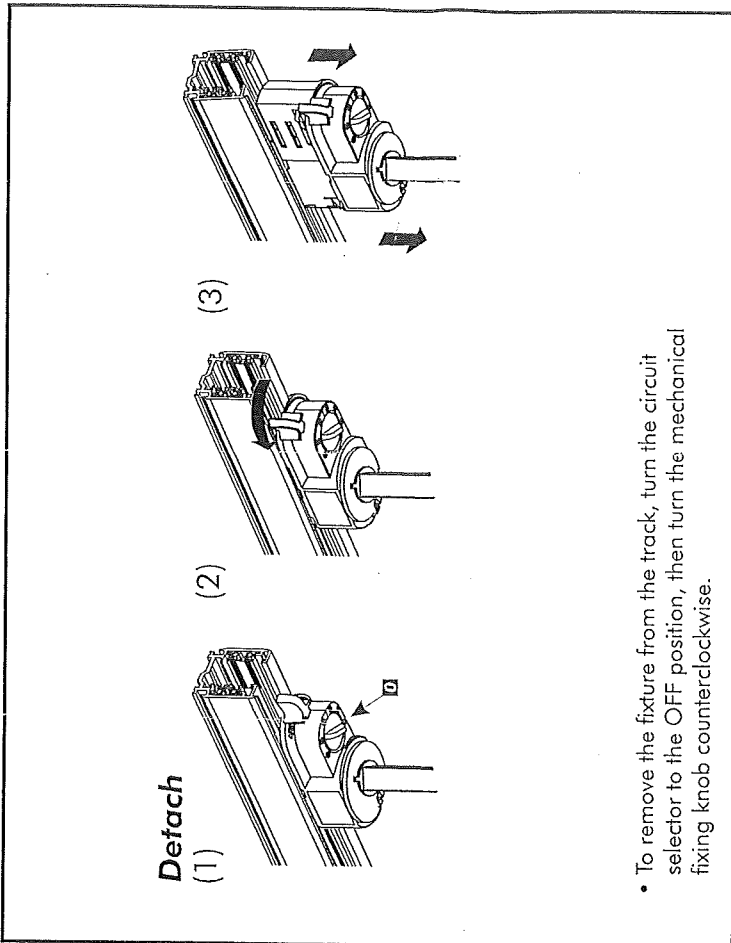
## TECHNICAL SPECIFICATION

Model : F11517TK  
 Voltage : 220-240V~  
 Frequency : 50/60Hz  
 Wattage : MAX 11W MEGAMAN®  
 CFL GU10  
 MAX 8W MEGAMAN®  
 Self-ballasted LED lamps GU10  
 IP Protection : IP20



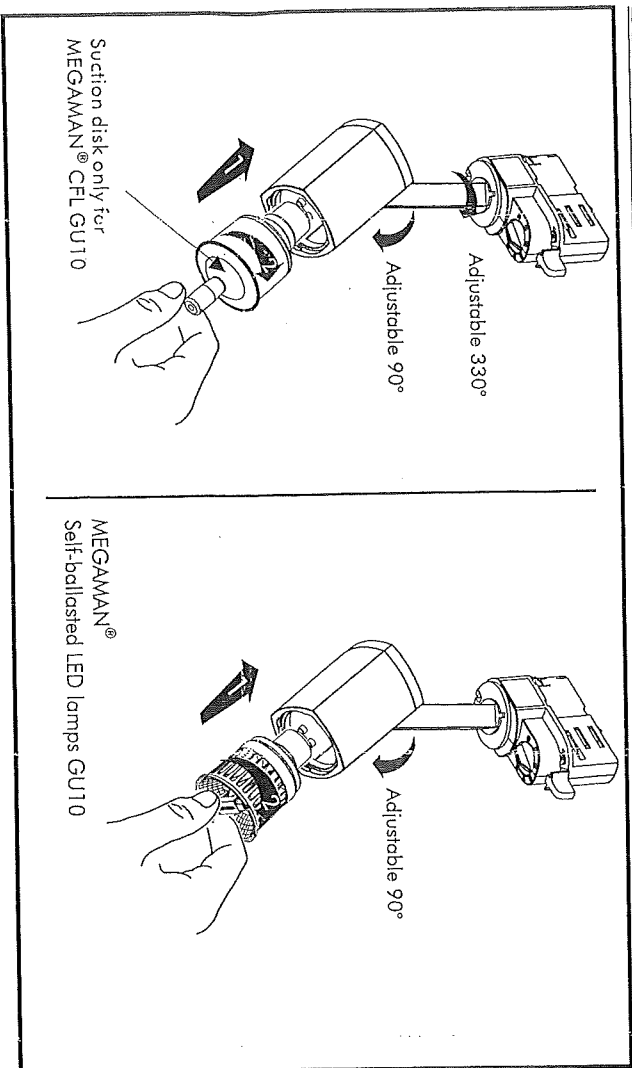
- Push the MULTI-adapter into the track (1).
- Turn the mechanical fixing knob clockwise (2).
- Select the desired circuit with the circuit selector knob (3).

- Pay attention to the position of the track's ridge. Install the Adaptor with its switch facing you on a track with the ridge on the left, Push the Adaptor into the track with the switch at the OFF position (1)."
- Turn the switch rightwards to the ON position (2).
- To remove the Fixture from the track, turn the switch on the Adaptor leftwards to the OFF position.



- To remove the fixture from the track, turn the circuit selector to the OFF position, then turn the mechanical fixing knob counterclockwise.

## LAMP INSTALLATION/REPLACEMENT



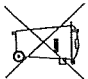
## CLEANING

- Disconnect the power source before cleaning.
- Avoid touching the surface of the reflector with your bare hands. Use dry and soft cloth to clean the reflector with care. Excess rubbing or cleaning may damage the reflector.

## MAINTENANCE

- Do not attempt to disassemble or service the product yourself. Please leave all technical issues to a qualified electrician.

## Correct Disposal of this product

 This marking indicates that this product should not be disposed with other household wastes throughout the EU. To prevent possible harm to the environment or human health from uncontrolled waste disposal, recycle it responsibly to promote the sustainable reuse of material resources. To return your used device, please use the return and collection systems or contact the retailer where the product was purchased. They can take this product for environmental safe recycling.

Neonlite Electronic & Lighting (HK) Ltd.  
31/F, AIA Kowloon Tower, Landmark East, 100 How Ming Street,  
Kwun Tong, Kowloon, Hong Kong.

8010G0061A

